

SERVICE MANUAL



FISHER

STEREO HIGH FIDELITY SYSTEM

PH-W5000K

(EUROPE)



142 516 10

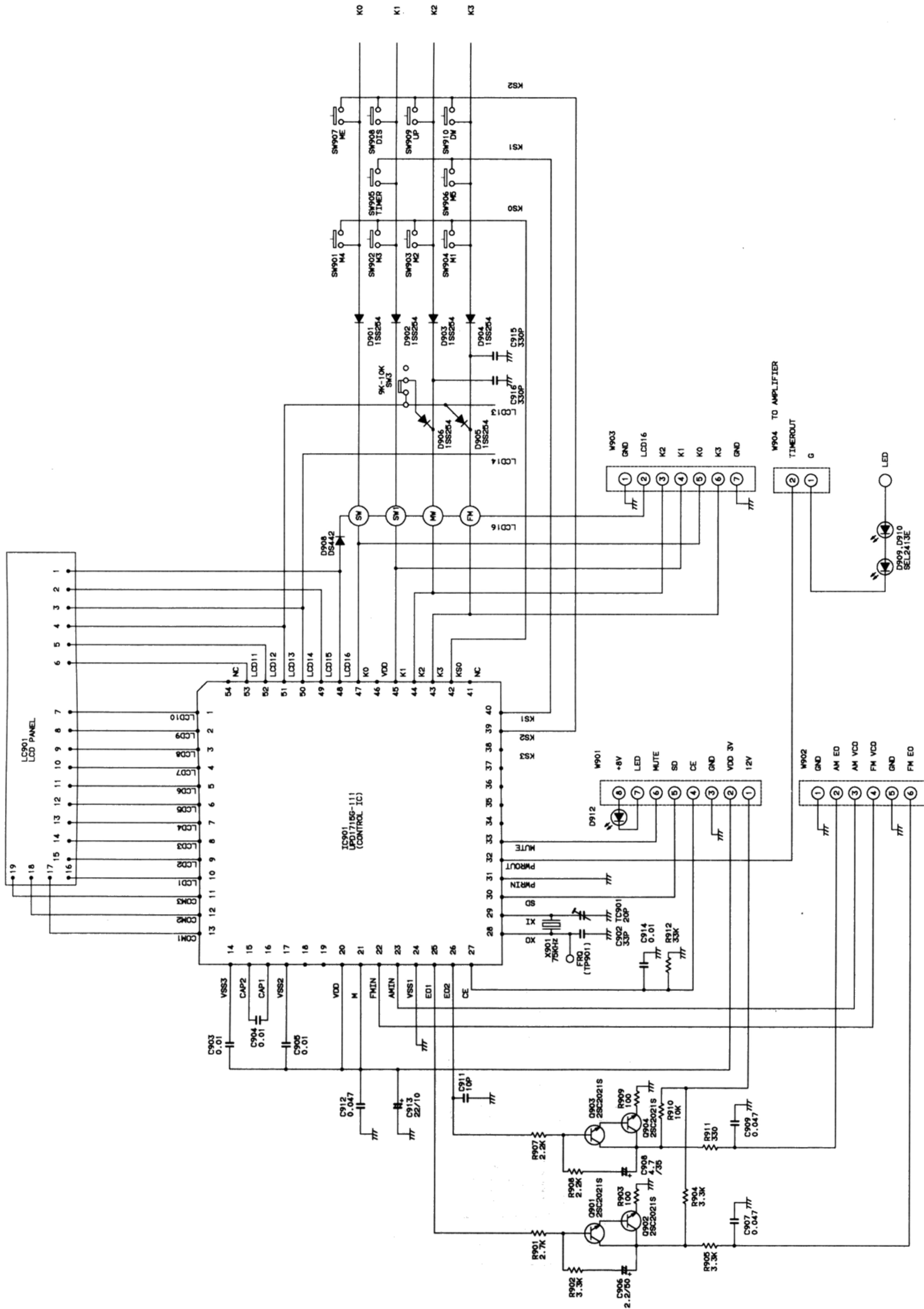
SPECIFICATIONS

| | | | |
|---------------------------------------|---------------------|---|----------------|
| Power Source | | Frequency Response (Overall) | |
| AC | 120V/220V | Fe ₂ O ₃ | 60Hz ~ 13kHz |
| DC | 12V | Erase Ratio (Overall, with Fe ₂ O ₃) | 60dB |
| (UM-1, HP2, D Cell, Monozelle, R20)x8 | | Signal to Noise Ratio (with Fe ₂ O ₃) | 48dB |
| Max. Output Power | 5.5Wx2 | Crosstalk (with Fe ₂ O ₃) | |
| Power Consumption | 24W | Track to Track | 50dB |
| Current Consumption (at Vol. Min.) | | Channel Separation (with Fe ₂ O ₃) | 30dB |
| Record mode | 200mA | Harmonic Distortion (K3/with Fe ₂ O ₃) | 3% |
| Playback mode | 150mA | Hum & Noise (at Vol. Min.) | -60dBs |
| Fast Forward mode | 160mA | Oscillation frequency | 85kHz |
| Rewind mode | 170mA | Output Level and Impedance | |
| Recording System | AC Bias | Headphones | 32Ω |
| Erasing System | AC Erasing | Frequency Range | |
| Tape Speed | 1-7/8ips. ±3% | FM | 87.5 ~ 108MHz |
| Wow & Flutter | 0.2% (WRMS) | SW ₂ | 9.5 ~ 21.75MHz |
| Torque | | SW ₁ | 3.2 ~ 7.3MHz |
| Playback | 30 ~ 55g-cm | MW | 531 ~ 1,602kHz |
| Fast Forward/Rewind | 55 ~ 120g-cm | | |
| Fast Forward/Rewind Time | | | |
| Deck1 | 170sec. (with C-60) | | |
| Deck2 | 120sec. (with C-60) | | |

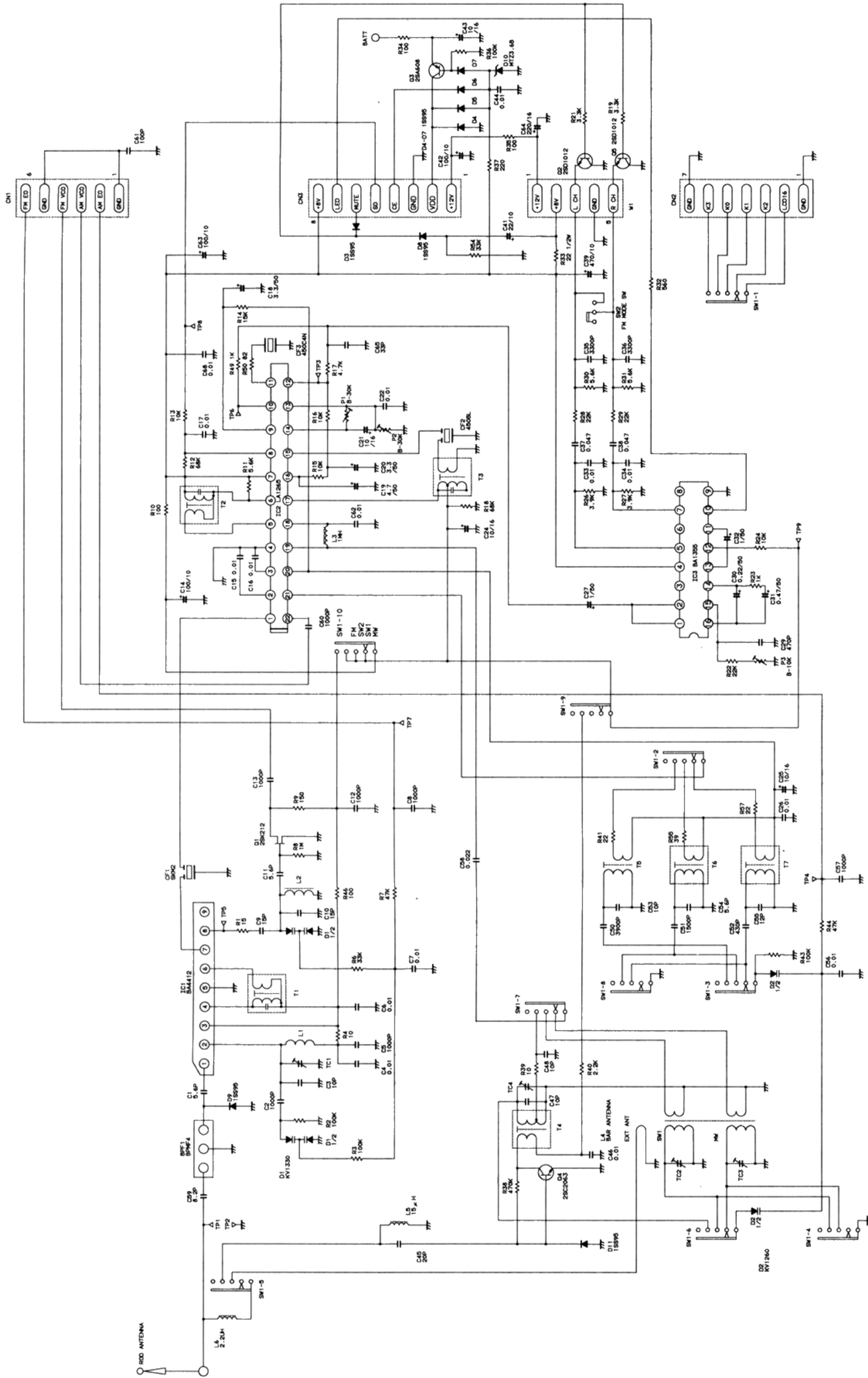
— Specifications and design are subject to change without notice. —

REFERENCE No. WM-570594

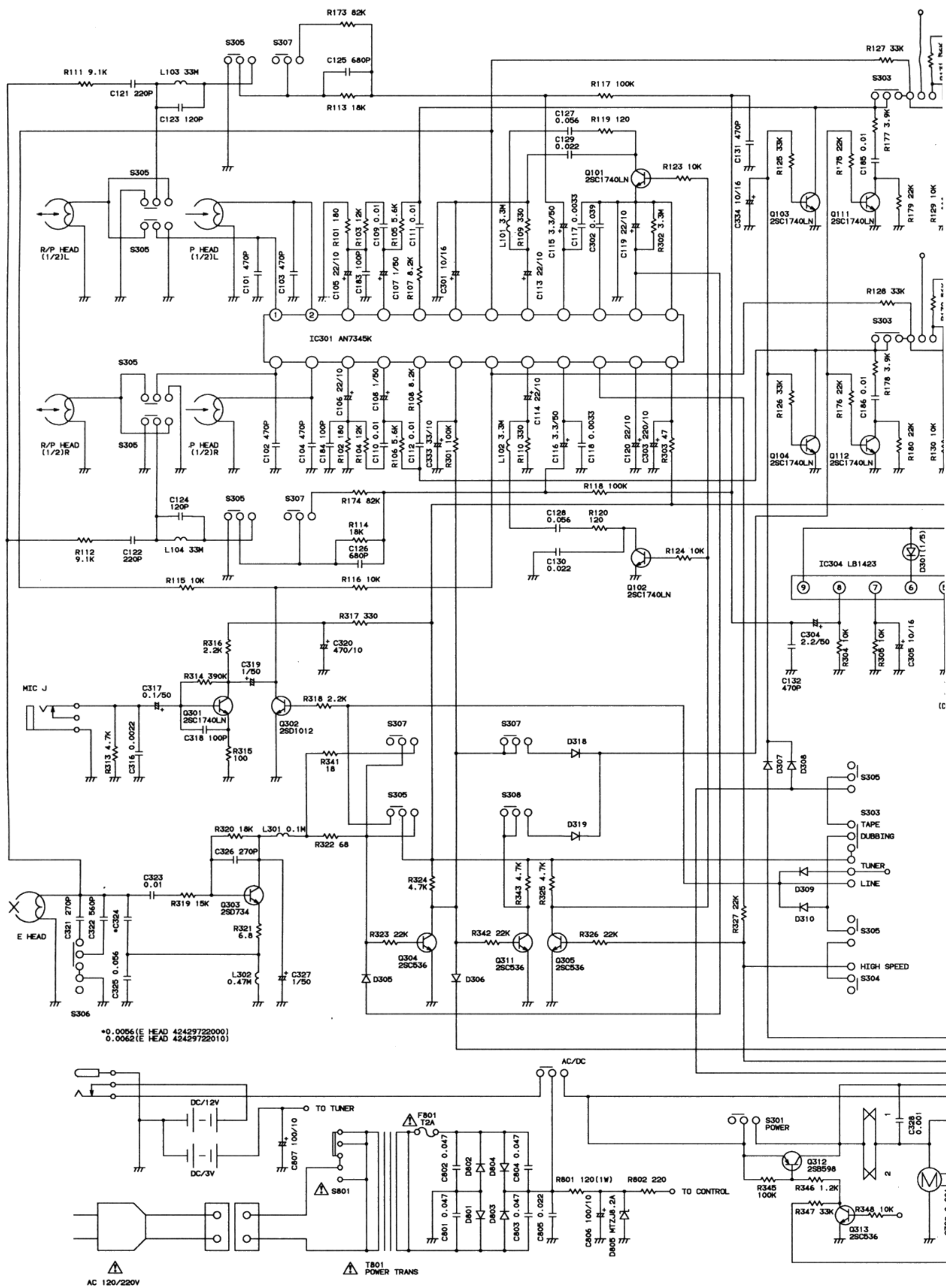
SCHEMATIC DIAGRAM (Control)



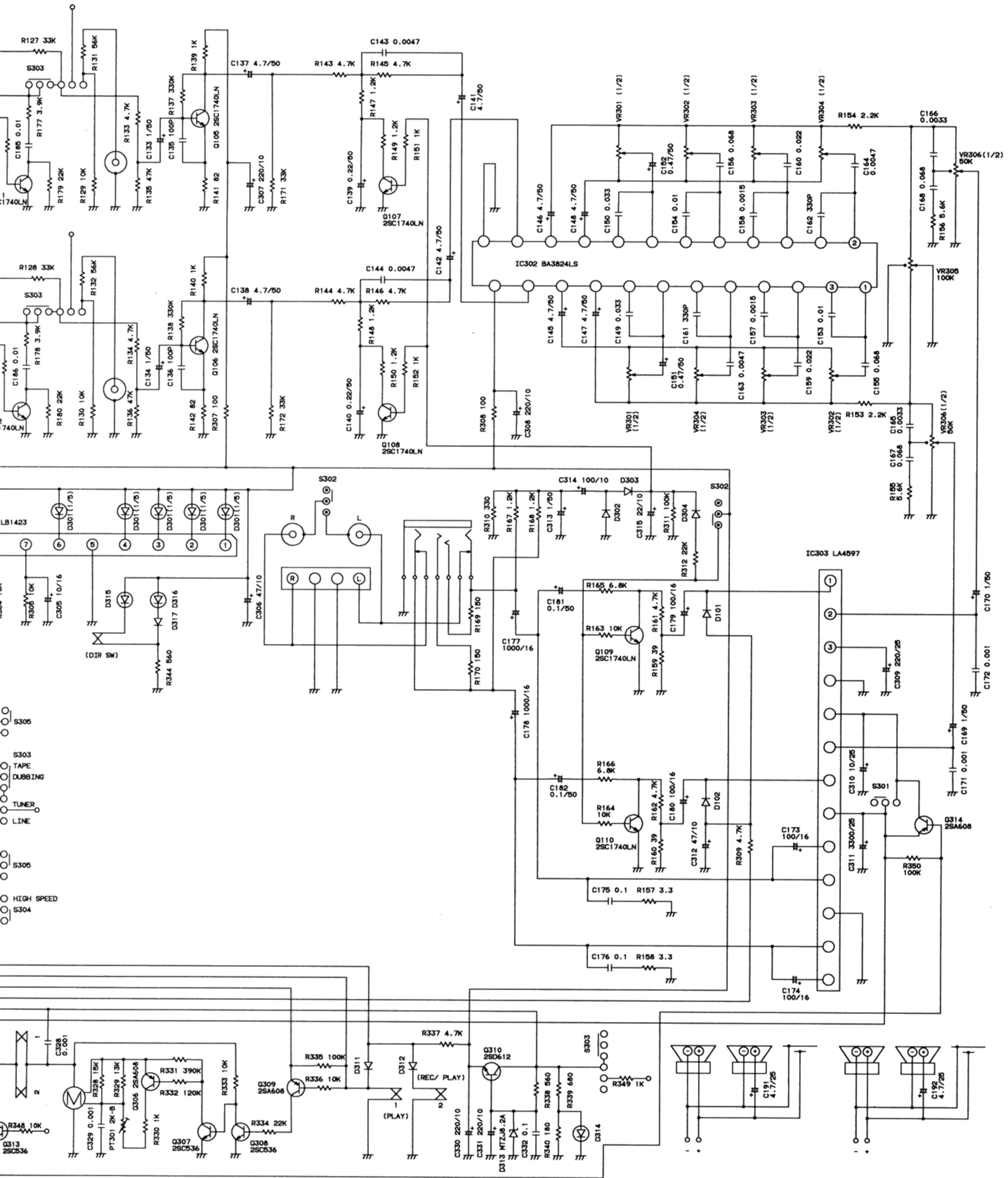
SCHEMATIC DIAGRAM (Tuner)



SCHEMATIC I



MATIC DIAGRAM (Amplifier)



- NOTES:**
1. All resistors values are indicated in "ohm" (K = 10³, M = 10⁶).
 2. All capacitors values are indicated in "µF" (P = 10⁻¹²).
 3. This is a basic schematic diagram.